

Transformers 1-phase



"UI"-transformers 150VA bis 11kVA, vertical with pre-mounted terminal blocks for reduced overall height. Terminal arrangement with wire entry from above; from UI120 with loss-reduced laminated core; from UI120/75 also in insulation class F.

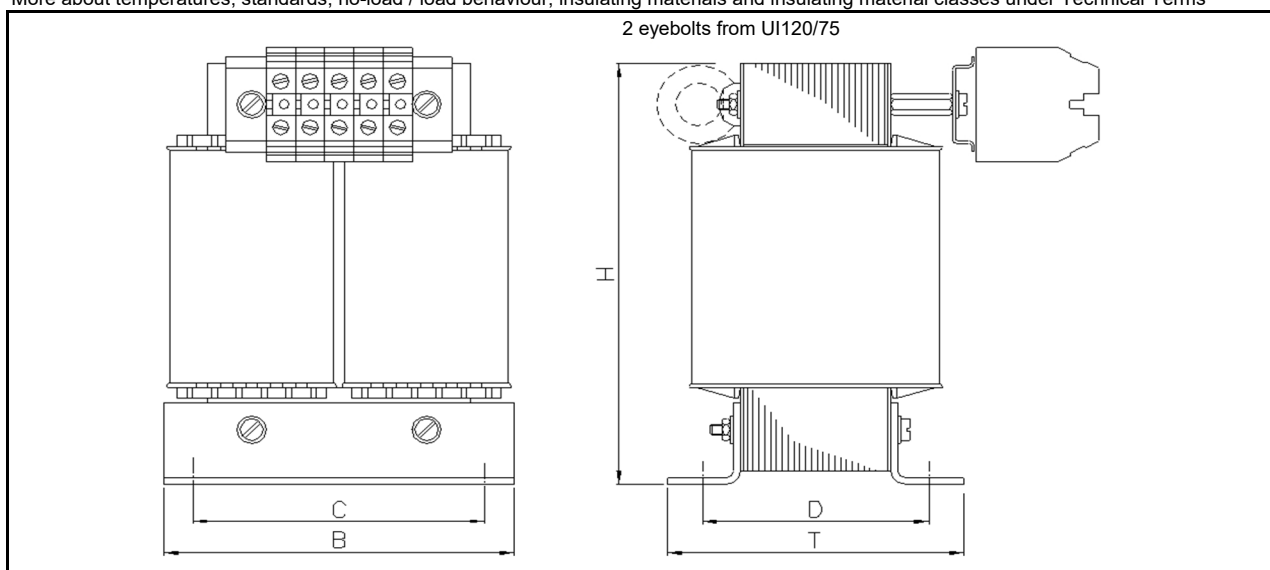
BREMER 1413-en

Design:	Vertical, "long" brackets	Ambient temperature:	ta = 40°C (40/B o. 40/F)
Type series:	"UI" core series	Temperature rise:	ΔT = ca. 45-50K o. 65-70K
Terminals:	Terminal block in front	Core material:	Standard or loss-reduced

Core-Type	Insul.cl.	Power approx. VA	Weights copper / total kg	Basic dimensions			Mounting dimensions	
				Width B mm	Depth T mm	Height H mm	C x D mm	For screw
UI 75/26,5	B	150	1,0 / 2,6	102	80	130	80 x 56,5	M 6
UI 75/41,5	B	200	1,2 / 3,6	102	95	130	80 x 71,5	M 6
UI 90/31,5	B	250	1,6 / 4,5	120	85	155	100 x 57,5	M 6
UI 90/41,5	B	330	1,8 / 5,5	120	95	155	100 x 67,5	M 6
UI 90/51,5	B	400	2,0 / 6,5	120	105	155	100 x 77,5	M 6
UI 102/36	B	430	2,8 / 7,0	138	100	175	103 x 76	M 6
UI 102/46,5	B	510	3,1 / 8,5	138	110	175	103 x 86,5	M 6
UI 102/57	B	550	3,4 / 10,0	138	120	175	103 x 97	M 6
kVA								
UI 120/41	B	0,85	4,8 / 11,0	160	125	205	110 x 95	M 10
UI 120/51	B	1,0	5,2 / 13,0	160	135	205	110 x 105	M 10
UI 120/61	B	1,1	5,6 / 15,0	160	145	205	110 x 115	M 10
UI 120/75	B/F	1,3 / 1,8	6,0 / 17,0	160	159	205	110 x 129	M 10
UI 150/36	B/F	1,3 / 1,7	7,0 / 18,0	200	139	260	140 x 106,5	M 10
UI 150/52	B/F	1,8 / 2,6	8,5 / 22,0	200	155	260	140 x 120,5	M 10
UI 150/65	B/F	2,0 / 2,8	9,5 / 26,0	200	170	260	140 x 133,5	M 10
UI 150/77	B/F	2,2 / 3,2	10,5 / 30,0	200	180	260	140 x 145,5	M 10
UI 150/92	F	3,4	11,5 / 35,0	200	195	260	140 x 160	M 10
UI 180/63	B/F	3,3 / 4,5	19,3 / 43,0	240	165	305	200 x 125	M 10
UI 180/78	B/F	3,8 / 5,1	22,0 / 51,0	240	180	305	200 x 140	M 10
UI 180/93	F	6,0	16,0 / 58,0	240	195	305	200 x 155	M 10
UI 210/63	F	6,7	29,0 / 58,0	280	185	360	240 x 141	M 10
UI 210/73	F	7,5	31,0 / 65,0	280	195	360	240 x 151	M 10
UI 210/88	F	8,3	33,0 / 75,0	280	210	360	240 x 166	M 10
UI 210/103	F	9,0	37,0 / 85,0	280	225	360	240 x 181	M 10
UI 210/133	F	11,0	41,0 / 110,0	280	255	360	240 x 211	M 10

Compared to the BREMER 1412 series, the overall height is reduced due to different terminal mounting.

More about temperatures, standards, no-load / load behaviour, insulating materials and insulating material classes under Technical Terms



Error and subject to change

© BREMER Transformatoren GmbH

Status: 28.09.2021 12:19

Table: BREMER 1413-en-dt__1UI-SL_UKV_V35__c.xls

Sketch: 1UI-SL-UKV-L-aax-RF210330.dwg

We develop and produce only in Germany / Berlin-Ludwigsfelde

BREMER Transformatoren GmbH

Feel free to call us: Phone +49 (0)3378 20 06-0

www.bremer-trafo.de info@bremer-trafo.de