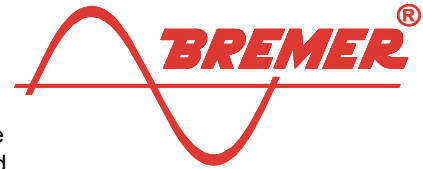


Transformers 1-phase



"EI" transformers 18 to 550VA in standard construction, vertical. This core type series is moderately designed and contains preferred types that can be supplied at short notice and are particularly economical.

BREMER 1501-en

| | | | |
|---------------------|-------------------------------------|-----------------------------|--------------------------|
| Design: | Vertical, brackets DIN41307 | Ambient temperature: | ta = 50°C (ta = 50/B) |
| Type series: | "EI", magnetic axis vertical | Temperature rise: | ΔT = ca. 40...50K (50/B) |
| Terminals: | Transformer terminal (orange) 1 row | Core material: | Standard material |

| Core-Type | Power approx. VA | Insulating class | Weights copper / total kg | Dimensions with terminals | | | Mounting dimensions | |
|--------------|------------------|------------------|---------------------------|---------------------------|------------|-------------|---------------------|-----------|
| | | | | Width B mm | Depth T mm | Height H mm | C x D mm | For screw |
| EI 60/21 | v 18 | B | 0,1 / 0,5 | 60 | 65/--- | 65/--- | 44 x 36 | M 3 |
| EI 60/25,5 | v 22 | B | 0,1 / 0,6 | 60 | 70/--- | 65/--- | 44 x 40 | M 3 |
| EI 60/31 | v 27 | B | 0,1 / 0,6 | 60 | 75/--- | 65/--- | 44 x 46 | M 3 |
| EI 66/23 | 27 | B | 0,1 / 0,7 | 66 | 70/--- | 70/--- | 50 x 40 | M 4 |
| EI 66/34,5 | 37 | B | 0,1 / 0,9 | 66 | 80/--- | 70/--- | 50 x 51,5 | M 4 |
| EI 78/27,5 | v 47 | B | 0,2 / 1,1 | 78 | 75/--- | 80/--- | 56 x 44,5 | M 4 |
| EI 78/36,5 | v 60 | B | 0,3 / 1,4 | 78 | 85/--- | 80/--- | 56 x 53,5 | M 4 |
| EI 84/29,5 | 63 | B | 0,3 / 1,4 | 85 | 80/85 | 85/100 | 64 x 46,5 | M 4 |
| EI 84/43,5 | 82 | B | 0,3 / 2,0 | 85 | 90/100 | 85/100 | 64 x 60,5 | M 4 |
| EI 96/35,7 | v 100 | B | 0,4 / 2,3 | 96 | 85/95 | 95/110 | 84 x 59,5 | M 5 |
| EI 96/45,7 | 120 | B | 0,5 / 2,8 | 96 | 95/105 | 95/110 | 84 x 69,5 | M 5 |
| EI 96/59,7 | 140 | B | 0,6 / 3,5 | 96 | 110/120 | 95/110 | 84 x 83,5 | M 5 |
| EI 105/37,5 | v 135 | B | 0,8 / 3,2 | 105 | 90/100 | 100/115 | 84 x 61,5 | M 5 |
| EI 105/45,5 | v 150 | B | 0,8 / 3,5 | 105 | 100/105 | 100/115 | 84 x 69,5 | M 5 |
| EI 105/60,5 | 160 | B | 0,9 / 4,6 | 105 | 115/120 | 100/115 | 84 x 84,5 | M 5 |
| EI 120/41,7 | v 190 | B | 1,0 / 4,1 | 120 | 100/105 | 110/125 | 90 x 69,5 | M 5 |
| EI 120/53,7 | v 230 | B | 1,1 / 5,1 | 120 | 110/120 | 110/125 | 90 x 81,5 | M 5 |
| EI 120/61,8 | v 250 | B | 1,1 / 5,7 | 120 | 120/125 | 110/125 | 90 x 89,5 | M 5 |
| EI 120/73,7 | u 270 | B | 1,2 / 6,6 | 120 | 130/140 | 110/125 | 90 x 101,5 | M 5 |
| EI 135/52 | u 300 | B | 1,7 / 6,6 | 135 | 110/120 | 120/145 | 104 x 86 | M 5 |
| EI 135/62 | u 340 | B | 1,9 / 7,7 | 135 | 120/130 | 120/145 | 104 x 96 | M 5 |
| EI 135/72 | u 385 | B | 2,1 / 8,8 | 135 | 130/140 | 120/145 | 104 x 106 | M 5 |
| EI 150N/49,6 | v u 350 | B | 1,8 / 8,5 | 150 | 110/120 | 135/150 | 122 x 83,5 | M 6 |
| EI 150N/66,6 | v u 440 | B | 2,0 / 10,5 | 150 | 130/135 | 135/150 | 122 x 100,5 | M 6 |
| EI 150N/92,6 | v u 550 | B | 2,4 / 13,8 | 150 | 155/160 | 135/150 | 122 x 126,5 | M 6 |

v = Preferred type

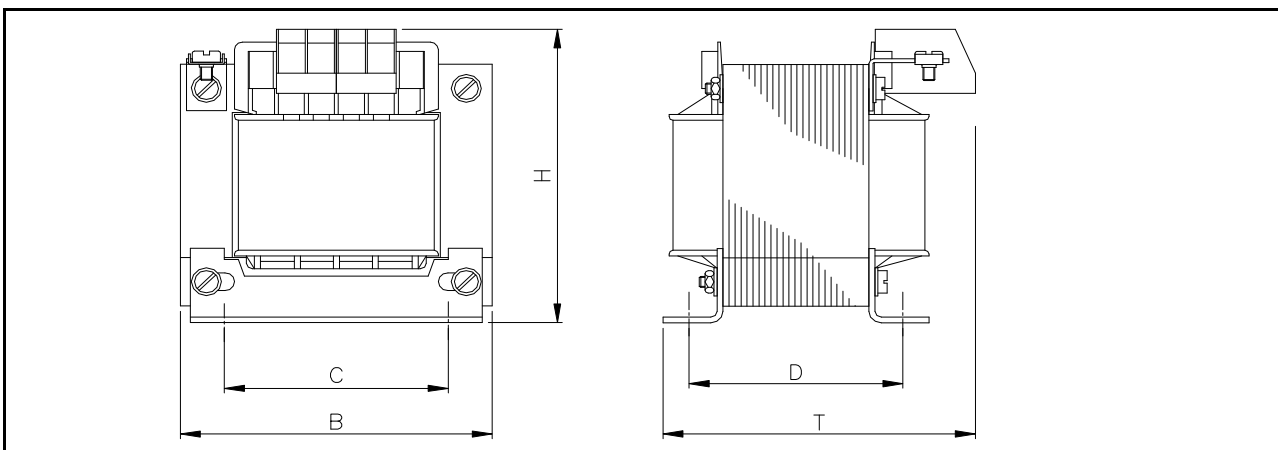
Dimensions with terminal TK4/TK10

TK10 for currents from 15A

u = Alternative types for these ratings available in type series UI (BREMER 1511-en)

Insulation class / highest final temperature according to IEC60085: B = 130°C F = 155°C H = 180°C

More about temperatures, standards, no-load / load behaviour, insulating materials and insulating material classes under Technical Terms



Error and subject to change

We develop and produce only in Germany / Berlin-Ludwigsfelde

© BREMER Transformatoren GmbH

Status: 27.09.2021 13:54

Table: BREMER 1501-en-dt_1EI-SS-MAS-TKA_b.xls

Sketch: 1EI-SS-MAS-TKA-L-aax-RF050510.dwg

BREMER Transformatoren GmbH

Feel free to call us: Phone +49 (0)3378 20 06-0

www.bremer-trafo.de info@bremer-trafo.de