

Transformers 1-phase



"EI" transformers 12 to 65VA in standard construction, vertical. For very high ambient temperatures with appropriately reduced output power

BREMER 1701-en

Design:	Vertical, brackets DIN41307	Ambient temperature:	ta = 70°C (ta = 70/B)
Type series:	"EI", magnetic axis vertical	Temperature rise:	ΔT = ca. 25...30K (70/B)
Terminals:	Transformer terminal (orange) 1 row	Core material:	Standard material

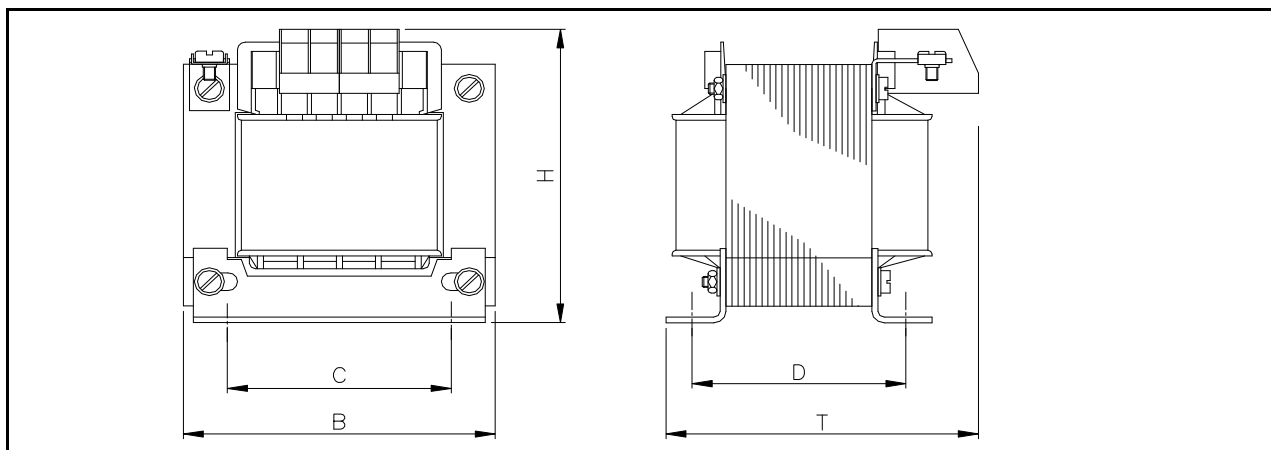
Core-Type	Power approx. VA	Insulating class	Weights copper / total kg	Dimensions with terminals			Mounting dimensions	
				Width B mm	Depth T mm	Height H mm	C x D mm	For screw
EI 60/21	12	B	0,1 / 0,5	60	65/---	65/---	44 x 36	M 3
EI 60/25,5	14	B	0,1 / 0,6	60	70/---	65/---	44 x 40	M 3
EI 60/31	16	B	0,1 / 0,6	60	75/---	65/---	44 x 46	M 3
EI 66/23	16	B	0,1 / 0,7	66	70/---	70/---	50 x 40	M 4
EI 66/34,5	20	B	0,1 / 0,9	66	80/---	70/---	50 x 51,5	M 4
EI 78/27,5	30	B	0,2 / 1,1	78	75/---	80/---	56 x 44,5	M 4
EI 78/36,5	33	B	0,3 / 1,4	78	85/---	80/---	56 x 53,5	M 4
EI 84/29,5	34	B	0,3 / 1,4	85	80/85	85/100	64 x 46,5	M 4
EI 84/43,5	35	B	0,3 / 2,0	85	90/100	85/100	64 x 60,5	M 4
EI 96/35,7	54	B	0,4 / 2,3	96	85/95	95/110	84 x 59,5	M 5
EI 105/37,5	65	B	0,8 / 3,2	105	90/100	100/115	84 x 61,5	M 5
(EI 135/52)	S 150	B	1,7 / 6,6	135	110/120	120/145	104 x 86	M 5

S = Special type

Dimensions with terminal TK4/TK10 TK10 for currents from 15A

Insulation class / highest final temperature according to IEC60085: B = 130°C F = 155°C H = 180°C

More about temperatures, standards, no-load / load behaviour, insulating materials and insulating material classes under Technical Terms



Irrtum und Änderung vorbehalten