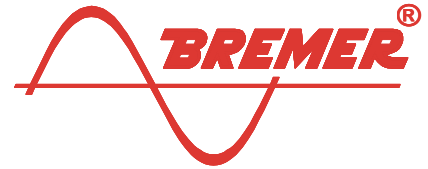


# Transformers 1-phase



"EI" transformers 4 to 65VA in horizontal construction with spacers. Compact construction for units that allow screwing through from the back of the mounting plate. Space-saving, with free ends or solder lugs.

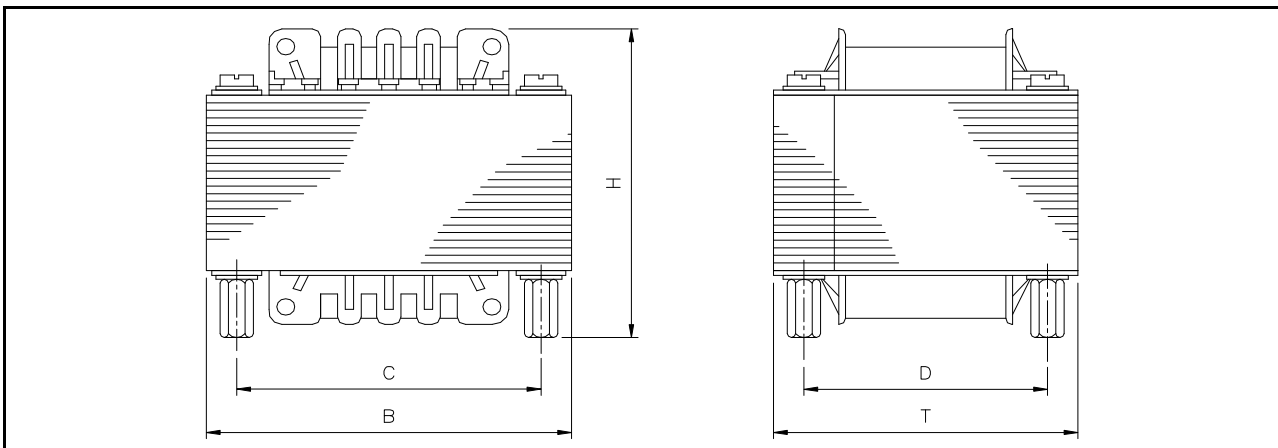
**BREMER 1720-en**

Design:	Horizontal with spacer bolts	Ambient temperature:	ta = 70°C (ta = 70/B)
Type series:	"EI" - horizontal	Temperature rise:	ΔT = ca. 25...30K (70/B)
Terminals:	According to customer requirements	Core material:	Standard material

Core-Type	Power approx. VA	Insulating class	Weights copper / total kg	Dimensions without terminals			Mounting dimensions	
				Width B mm	Depth T mm	Height H mm	C x D mm	For screw
EI 42/14,8	3-4	B	0,1 / 0,3	42	35	35	35 x 28	M 3
EI 42/20	4	B	0,1 / 0,4	42	35	40	40 x 32	M 3
EI 48/16,8	6	B	0,1 / 0,4	48	40	43	40 x 32	M 3
EI 54/18,8	9	B	0,1 / 0,5	54	45	40	45 x 36	M 3
EI 60/21	12	B	0,1 / 0,5	60	50	55	50 x 40	M 3
EI 60/25,5	14	B	0,1 / 0,6	60	50	60	50 x 40	M 3
EI 60/31	16	B	0,1 / 0,6	60	50	65	50 x 40	M 3
EI 66/23	16	B	0,1 / 0,7	66	55	55	55 x 44	M 3
EI 66/34,5	20	B	0,1 / 0,9	66	55	65	55 x 44	M 3
EI 78/27,5	30	B	0,2 / 1,1	78	65	70	65 x 52	M 4
EI 78/36,5	33	B	0,3 / 1,4	78	65	80	65 x 52	M 4
EI 84/29,5	34	B	0,3 / 1,4	85	70	70	70 x 56	M 4
EI 84/43,5	35	B	0,3 / 2,0	85	70	85	70 x 56	M 4
EI 96/35,7	54	B	0,4 / 2,3	96	80	80	80 x 64	M 4
EI 105/37,5	65	B	0,8 / 3,2	105	87,5	90	87,5 x 70	M 4

Insulation class / highest final temperature according to IEC60085: B = 130°C F = 155°C H = 180°C

More about temperatures, standards, no-load / load behaviour, insulating materials and insulating material classes under Technical Terms



Error and subject to change

We develop and produce only in Germany / Berlin-Ludwigsfelde